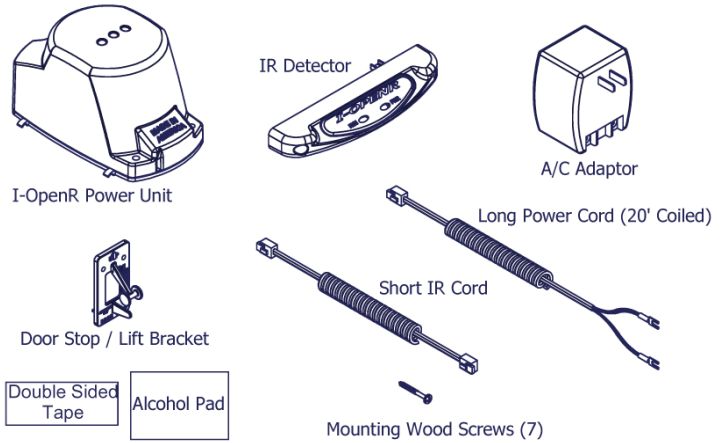


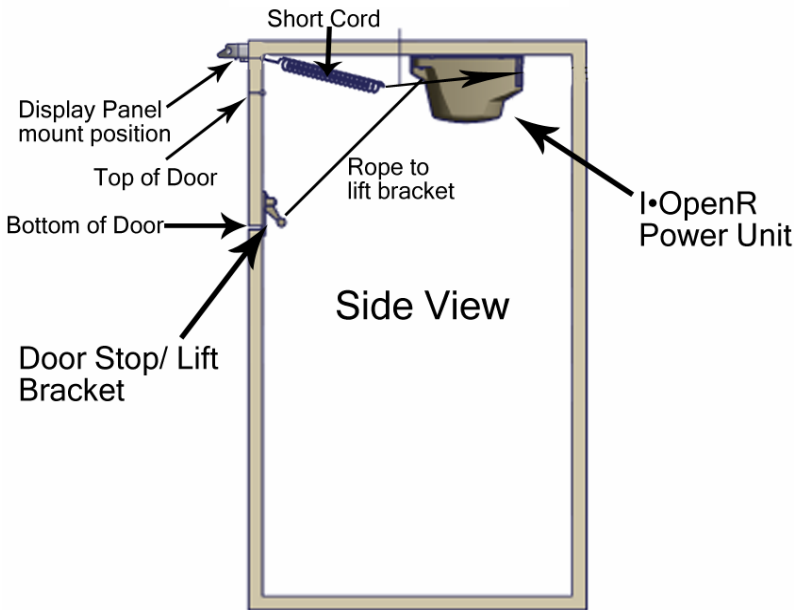
# **I-OpenR™** By **KZCO™** inc. **Sanitation thru Automation<sup>sm</sup>**

The **I-OpenR™** is a hands-free automatic door opener that can be installed in a wide variety of waste receptacles whether stand alone receptacles or built into cabinetry. The **I-OpenR™** allows for the sanitary disposal of trash through an infrared, automated swinging door. The product includes an LED trash level smart sensor that changes from green to flashing red when the waste receptacle is nearing full.

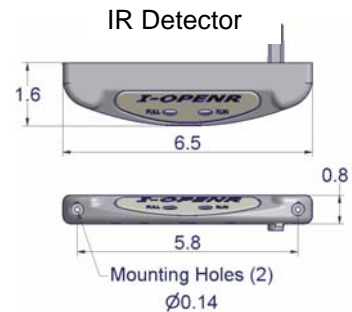
## **Parts Included #C1A**



### **Typical Installation**



### **Mounting Dimensions**



### **I-OpenR Specifications**

Input: AC 120V, 60 Hz, 28 W  
 Output: AC 15V, 1200 mA

Max weight of door: 5 lbs.  
 Lift Rope Material: Nylon



## SPECIFICATIONS

**Part #C1A:**

**Power Unit Volts:** 15vdc, micro-processor controller, 3 mounting screws included.

**Max Current:** 1.2 amps, auto fuse: Unplug to reset.

**Lift Capacity:** 5 lbs.

**Closing Force:** Max weight of the lid (lid/door weight drives motor in reverse).

**Lift Rope:** Braided nylon, approximately 323 lb. breaking strength.

**Max Lift or Length of Rope Pull:** 24"

**Opening Time for 24" Lift:** Approximately 4 seconds (varies with weight of lid/door).

**Close Time for 24" Lift:** Approximately 8 seconds (varies with weight of lid/door).

**Infra-Red Sensor, Volts:** 5vdc from power unit, 2' coiled cord with 4 pin mod plug, user adjustable sensitivity up to 8" range, 2 mounting screws included.

**Enclosures:** NEMA 2 rated, glass reinforced Nylon, indoor use.

**Power Supply:** UL approved, 120/15v AC adapter, 10' cord with 6 pin mod plug.

**Door Lift Bracket:** Glass reinforced Nylon, 2 mounting screws included.

**Boxed Weight (per unit):** 3.5 lbs.